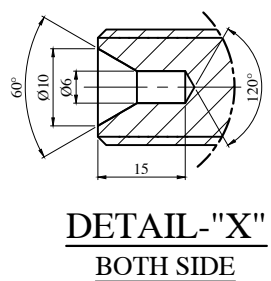
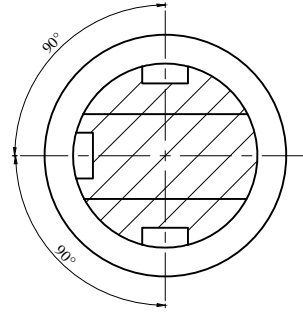


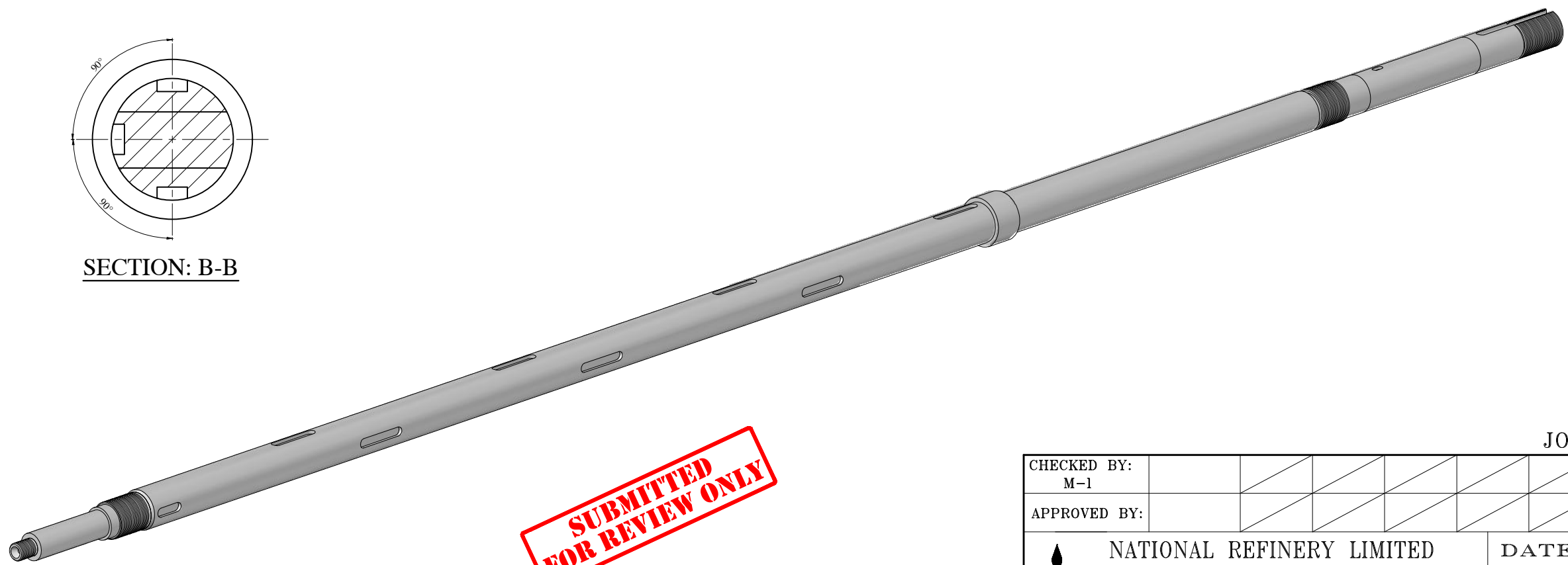
SECTION: A-A



DETAIL - "X"  
BOTH SIDE



SECTION: B-B



**SUBMITTED FOR REVIEW ONLY**

- NOTES:-
1. ALL DIMENSIONS ARE IN MM UNLESS OTHER WISE MENTIONED.
  2. NO SHARP EDGE 0.5x45°
- SURFACE FINISH: ∇∇(∇∇)

1	01	ø50 x 2120.5	DRIVE SHAFT	SS-420
ITEM.NO.	QTY.	SIZE	DESCRIPTION	MATERIAL

DEVIATION FOR UNTOLERANCE DIMENSIONS				
UP TO 6	> 6 TO 30	>30 TO 120	>120 TO 315	>315 TO 1000
±0.1	±0.2	±0.3	±0.5	±0.8

CHECKED BY: M-1										JOB NO.57/2022	
APPROVED BY:											
<b>NATIONAL REFINERY LIMITED</b> P.O.BOX 4567 KARACHI-2 P.O.BOX 3864 KARACHI-4 PAKISTAN								DATE: 24/11			
DESC.								REV. : "0"			
<b>SHAFT DRIVE FOR (102-P1A).</b>								Dwg. No.		102-01R-A3-2022	
								SCALE		N.T.S.	
REF. 102-AREA				NRL-FAF-ENG-011				DRAWN BY: MUDASSIR KHAN		CHECKED BY:	