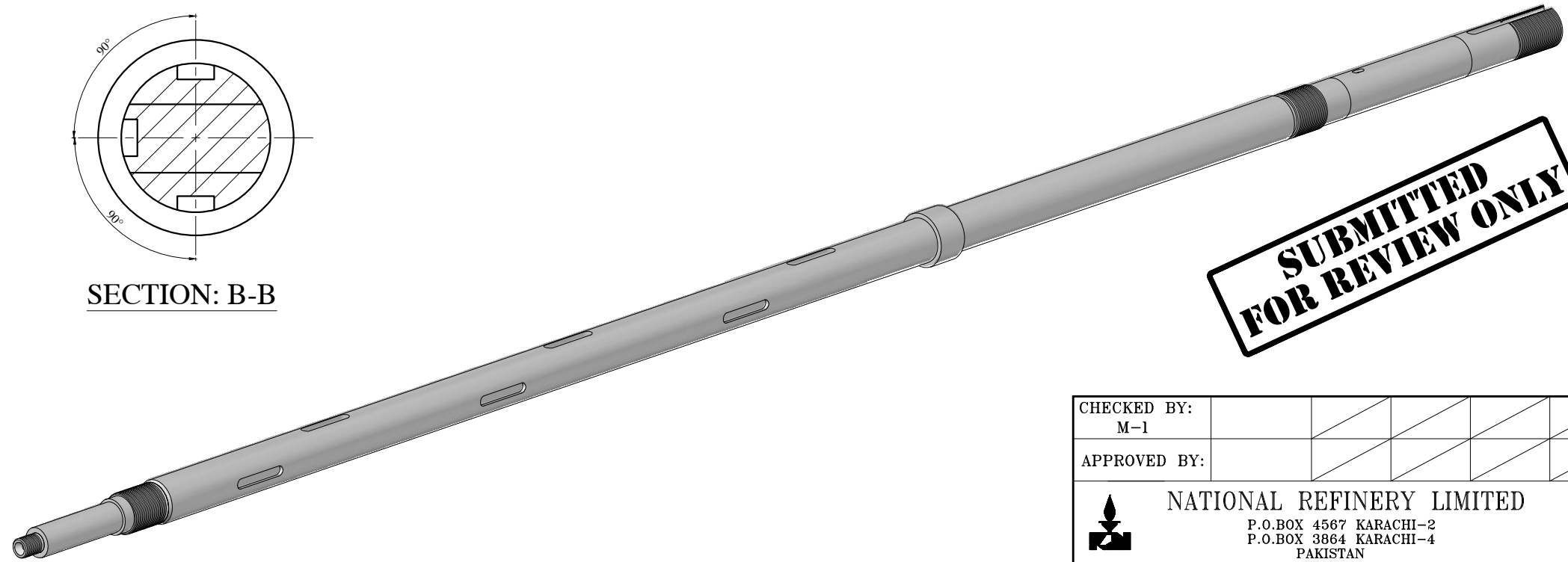
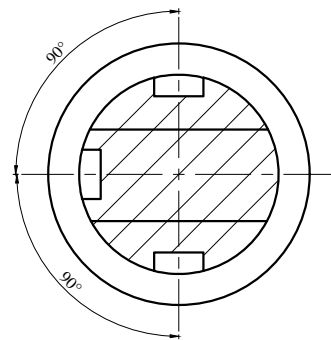
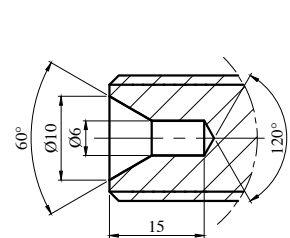


SECTION: A-A




SUBMITTED FOR REVIEW ONLY

JOB NO.04/2023

- NOTES:-
1. ALL DIMENSIONS ARE IN MM UNLESS OTHER WISE MENTIONED.
 2. NO SHARP EDGE $0.5 \times 45^\circ$
- SURFACE FINISH: $\nabla\nabla$ ($\nabla\nabla\nabla$)

ITEM.NO.	QTY.	SIZE	DESCRIPTION	MATERIAL
1	01	$\phi 50 \times 1921$	PUMP SHAFT	AISI-420

DEVIATION FOR UNTOLERANCE DIMENSIONS				
UP TO 6	> 6 TO 30	> 30 TO 120	> 120 TO 315	> 315 TO 1000
± 0.1	± 0.2	± 0.3	± 0.5	± 0.8

CHECKED BY: M-1							
APPROVED BY:							
 NATIONAL REFINERY LIMITED P.O.BOX 4567 KARACHI-2 P.O.BOX 3864 KARACHI-4 PAKISTAN	DATE:	25/1					
	REV. :	"0"					
DESC.	PUMP SHAFT FOR (103-P7A).			Dwg. No.	103-01R-A3-2023		
REF.	103-AREA	NRL-FAF-ENG-011	SCALE	N.T.S.			
			DRAWN BY:	CHECKED BY:			
			MUDASSIR KHAN				