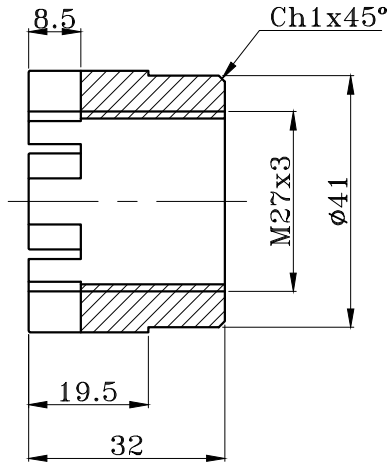
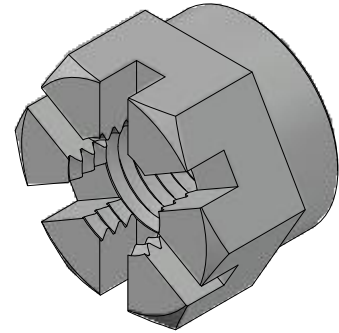
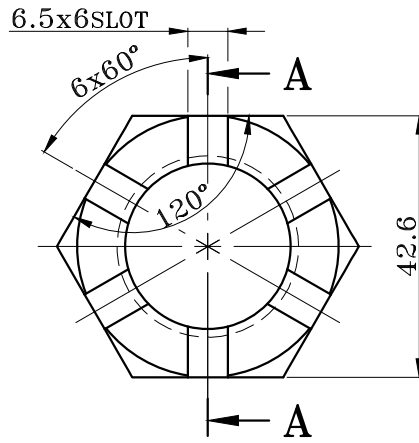


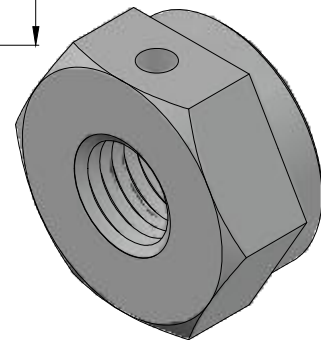
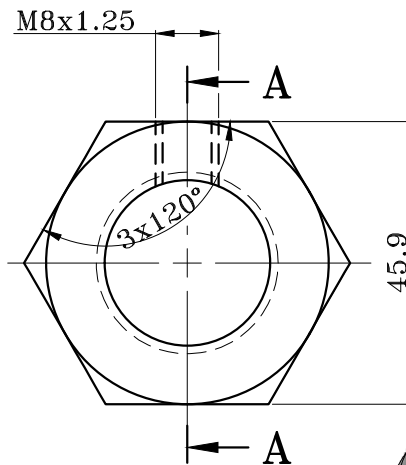
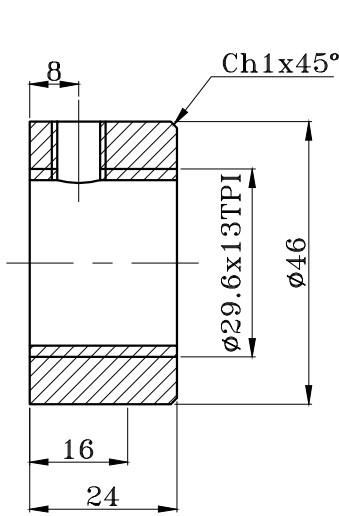
1




SECTION: A-A



2



JOB NO.93/2023

CHECKED BY:		M-1									
APPROVED BY:											
2	Ø54 x 24	01	PISTON NUT			CARBON STEEL					
1	Ø50 x 32	01	CROSS NUT			CARBON STEEL					
S#.	SIZE	QTY.	DESCRIPTION			MATERIAL					
 NATIONAL REFINERY LIMITED P.O.BOX 4567 KARACHI-2 P.O.BOX 3864 KARACHI-4 PAKISTAN						DATE: 28/9					
DESC.						REV. : "0"					
PISTON ROD NUT FOR (177-K1/K2)						Dwg. No.		177-01R-A4-2023			
REF. 177-AREA						SCALE		N.T.S.			
NRL-FAF-ENG-011						DRAWN BY:		MUDASSIR KHAN		CHECKED BY:	

NOTES:-

1. ALL DIMENSIONS ARE IN MM UNLESS OTHER WISE MENTIONED.

DEVIATION FOR UNTOLERANCE DIMENSIONS				
UP TO 6	>6 TO 30	>30 TO 120	>120 TO 315	>315 TO 1000
±0.1	±0.2	±0.3	±0.5	±0.8