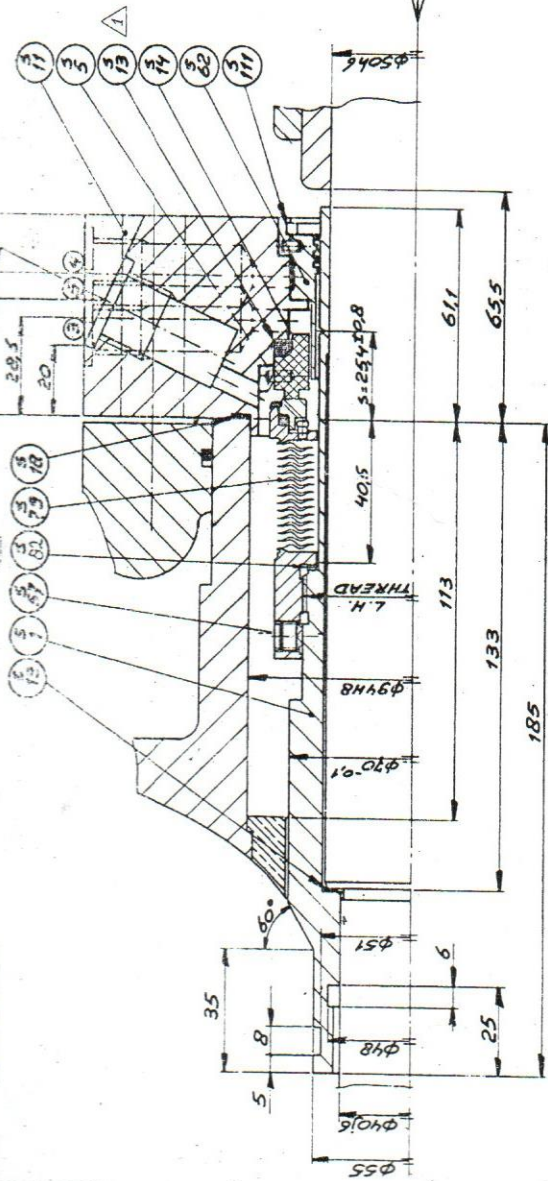
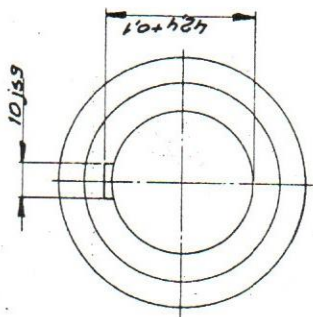


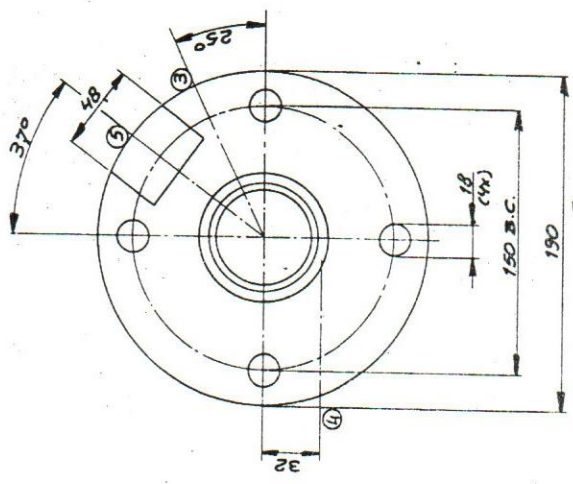
For installation of S-13 see enclosed field installation instruction L40000-01



- ③ QUENCH 1/2" R
- ④ DRAIN 1/2" R
- ⑤ EVENT 1/2" R



KEY-WAY DETAIL



VIEW A

FINAL DRAWING
 No further changes shall be made by the Vendor or the Buyer, includes all revisions, all descriptions of material and equipment are true.
 SIGNATURE: [Signature] DATE: 12-04-83
 BORG - WARNER MECHANICAL SEALS
 A DIVISION OF
 BORG - WARNER CORPORATION

69-301-034K

INSTALLATION OF THE BELLOWS ASSEMBLY AND LAMINATED GASKET:
 - Thoroughly clean shaft sleeve threads and shim gasket seat shoulder. Lubricate the threads.
 - Place the shim gasket (S-22) up against the seat shoulder of the shaft sleeve.
 - The surge bellows adapter bore threads and shim gasket shoulder are clean and free of dirt particles etc.
 - Slide the bellows assembly over the sleeve and engage the parts by threading the bellows assembly until it no longer spins freely under light hand pressure.
 - Secure the shaft sleeve from rotation.
 - Identify the start point by marking a line on both bellows adapter and shaft sleeve.
 - Using a spanner wrench, tighten the bellows adapter to the recommended angle of 120°.
 - Tighten the cup point set screws in the bellows adapter and secure them afterwards.

QTY	DESCRIPTION	PART NO.	UNIT	REMARKS
5	Gasket	664020	ZL	Reinforced Graph. Laminate
21	SPRINGING	38-072	X	UNS M6 T18
21	BELLOWS ASSEMBLY	3R10307	S15	Sub. The 218 Length of Gasket
21	SHAFT Baffle BUSHING	157494	FJ	BR0022C
4	H.S. SET SCREW C.P.	490431	DY	ALLOY 20
21	SLIPPER GASKET	623962	CK	TB-R
21	FLANGE GASKET	4400261	GR	Composite
21	STATIONARY FACE	3R10331	AY	CARBON
21	SEAL GASKET	670766	QF	Tlex Graphitic
21	SEAL FLANGE	2ND0331	DB	316
21	LOCK PIN	670775	DB	316
21	SHAFT SLEEVE	2ND0330	KY	316/2.C.P.

MECHANICAL SEAL ASSEMBLY
 BRC-2687
 SCALE: 1:1 (1:2)
 DATE: 12-04-83
 CHECKED BY: [Signature]
 ENGINEER: [Signature]
 BR/JP International B.V.
 Seal Division
 P.O. Box 1300, 4000 BH
 Breda, The Netherlands

TRIPLEX
 A2N00796
 A

69-301-032
 69-301-033
 69-301-037
 69-301-040
 69-301-040K1
 69-301-030
 69-301-031
 69-301-019